

**Submittal Data Sheet**

**Project Information**

Project \_\_\_\_\_ Approval \_\_\_\_\_

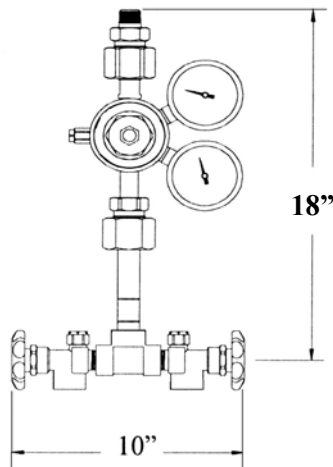
**Features**

- Adjustable line regulator 0 – 125 psig or 0 – 200 psig (N2)
- Flexible stainless braided pigtails (except Oxygen service – rigid copper pigtails provided per NFPA 99)
- CGA gas specific pigtail connections
- Complete system cleaned for use with Oxygen
- Cylinder contents gauge and delivery pressure gauge included
- Outlet union provided – ½ Male NPT
- Wall mounting bracket included
- Maximum inlet pressure 3,000 psig
- Optional pressure switch port
- Optional remote audio visual alarm

Ideal for dental or veterinary applications where manual switching of cylinders and a possible interruption of gas service are allowable. Systems are available for nitrous oxide, carbon dioxide, nitrogen, medical air and oxygen.



Model TSD-540 shown above



Model TAV-1 Shown above



Model TSDWP-540 shown above

**How to Order**

Control Type	Pressure Switch Port	Delivery Pressure	Gas Service
TSD	WP (with port and pressure switch )	Blank = 0 – 125 psig	346 = Medical Air
	Blank = (without port)	HP = 0 – 200 psig	320 = Carbon Dioxide
			326 = Nitrous Oxide
			540 = Oxygen
			580 = Nitrogen

Examples: TSD-540 = TSD system without pressure switch port, 0 – 125 psig, for Oxygen  
TSDWPHP-580 = TSD system with pressure switch port, 0 – 200 psig, for Nitrogen