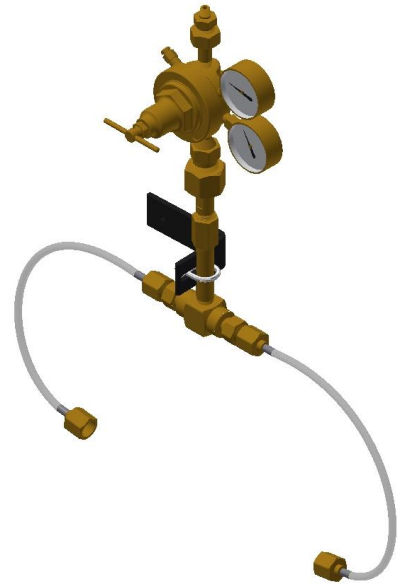


Submittal Data Sheet

Features

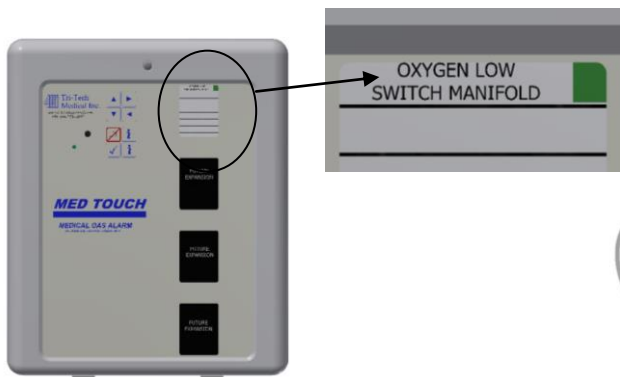
- **Five year parts and one year labor limited warranty***
- Adjustable line regulator 0 – 125 PSIG or 0 – 200 PSIG (Nitrogen)
- Flexible stainless braided pigtailed CGA gas specific pigtail connections are provided standard for all gas services, Copper pigtailed are available as an option
- Complete system cleaned for use with Oxygen
- Cylinder contents gauge and delivery pressure gauge included
- Outlet union provided – 1/2 Male NPT
- Wall mounting bracket included
- Maximum inlet pressure 3,000 PSIG
- Available with pressure switch port 1/2 female NPT
- Optional pressure switch set to 150 PSI
- Optional remote audio visual alarm preprogrammed to “OXYGEN LOW SWITCH MANIFOLD” signal



Model TSD-540 with flexible pigtailed connections shown above

***See Terms and Conditions, Document No. 99-0477, on our website at: www.tri-techmedical.com for complete details.**

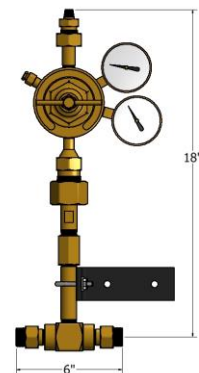
Ideal for veterinary applications where manual switching of cylinders and a possible interruption of gas service are allowable. Systems are available for **Nitrous Oxide, Carbon Dioxide, Nitrogen, Medical Air and Oxygen**



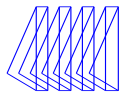
Model ST2UPFFF-02 Shown above
Optional remote audio visual 8 point alarm must be used with optional pressure switch



Model TSDWPHP-580 with PS-100-1000 optional pressure switch shown above

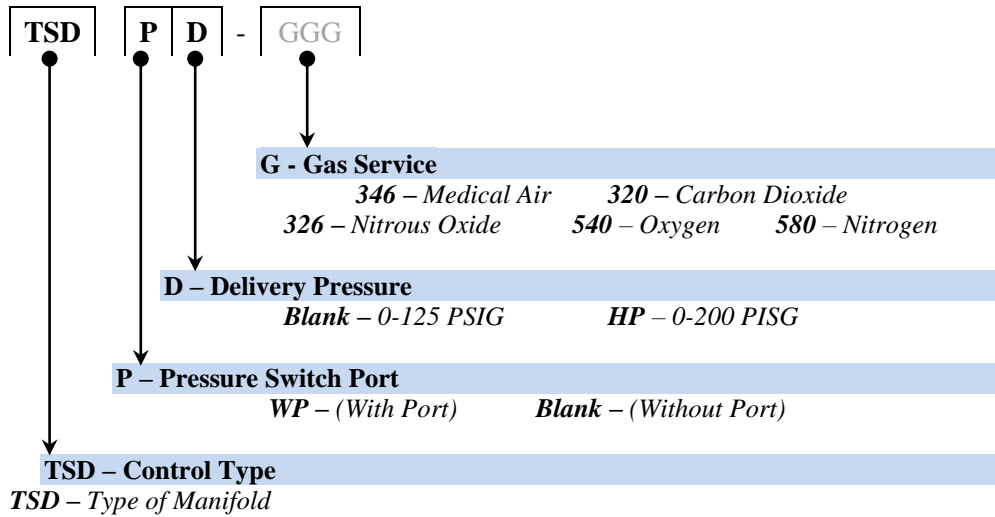


Dimensional information
Allow 20” of wall space for two gas cylinders.



How to Order: Easy to use modular ordering system.
Fill in the blanks to specify the TSD that meets **your** needs.

Model Numbering:



Examples: TSD-540 = TSD system without pressure switch port, 0 – 125 PSIG, for Oxygen
TSDWPHP-580 = TSD system with pressure switch port, 0 – 200 PSIG, for Nitrogen