

Submittal Data Sheet

**Project
Information**

Project Number _____ Approval _____

Features

The Frontall™ DISS medical gas outlets represent the most technically advanced means of providing medical gas connections to the central piping system. The outlets incorporate a unique patented **front-loaded** feature which makes the Tri-Tech Medical outlets **easy to repair**, saving valuable time and money for the health care facility.

- ETL Listed to UL 1331 and CSA Z9170-1.
- Conforms to NFPA 99 and CGA standards
- Ease of maintenance without removing the faceplate using a cartridge insertion tool.
- Gas specific DISS outlet body
- Surface mount installation
- All outlets are 100% tested for flow and leaks
- Nameplate color coding per NFPA 99
- Strength of connections eliminates unintended disconnects and provides support for dispensing equipment without the use of additional brackets
- Made in the U.S.A.



Specification

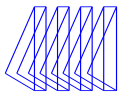
The medical gas wall outlets shall be Tri-Tech Medical Frontall™ DISS medical gas outlets XF21xx series. The outlets shall be modular singles, and shall incorporate nameplate color-coding in accordance with NFPA 99. The outlets shall be capable of supporting dispensing equipment without the use of slide brackets.

The medical gas outlets shall be designed so that, once installed, routine service of both the primary and secondary check valves can be accomplished **without** removing the nameplate or gas specific portions. The primary check valve shall be unitized and of the cartridge type. So that the primary check valve can be removed for service without shutting off the gas supply to the outlet, the secondary check valve shall operate automatically to stop the free flow of the pressure gas.

There shall be no secondary check for vacuum or WAGD service. Medical gas outlets that require the removal of the nameplate or gas specific components for routine service shall not be acceptable. The seal between the nameplate and the rough-in shall be a double O-ring which is serviceable without shutting off the gas service. The medical gas outlets shall be capable of supporting 10 pounds @ 2" from the nameplate without leaking.

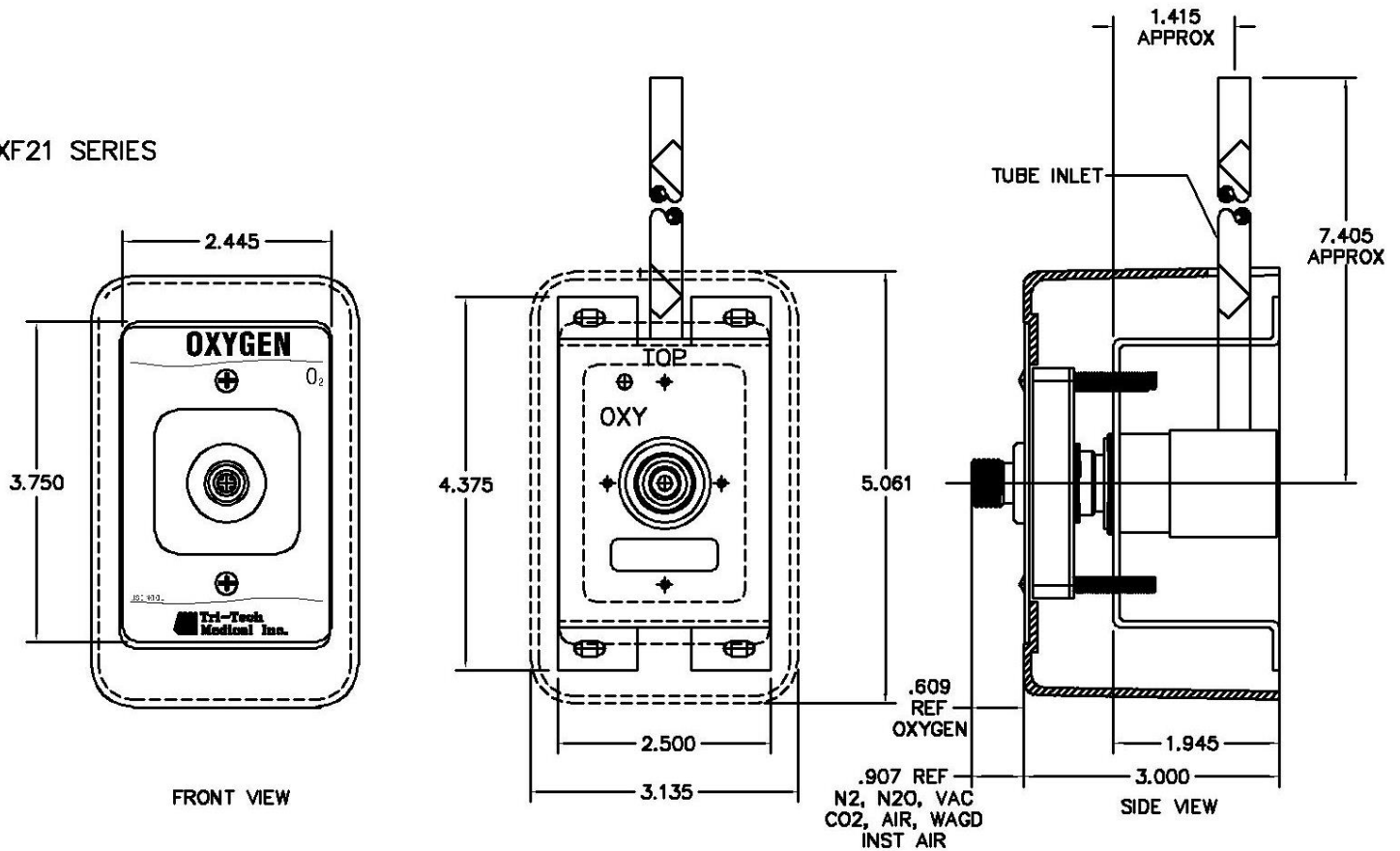
The outlet nameplate shall be permanently color-coded with a durable scratch resistant and protective label. The outlet surface-mount housing shall be durable scratch resistant plastic. The outlet nameplate and housing shall be attached to the outlet bracket. The name of the gas service shall be permanently embossed on the outlet bracket and the chrome plated brass outlet body. The outlet's rough-in supply tube shall be a 7 inch (18 cm) length of 1/2 OD copper – Type K, for all gas services and labeled with the name of the gas service.

Medical gas outlets shall be cleaned for oxygen service in accordance with the current Compressed Gas Association (CGA) Pamphlet G-4.1, capped and placed in a protective container for shipment. The outlets shall be installed in strict accordance with manufacturer's instructions, and tested before use in conformance with local and federal codes.



Submittal Data Sheet

XF21 SERIES



Ordering Information

Connection Type	Nitrous Oxide	Carbon Dioxide	Nitrogen	Medical Air	Medical Vacuum	Oxygen	WAGD	Instrument Air
DISS	XF2104	XF2108	XF2112	XF2116	XF2122	XF2124	XF2132	XF212080