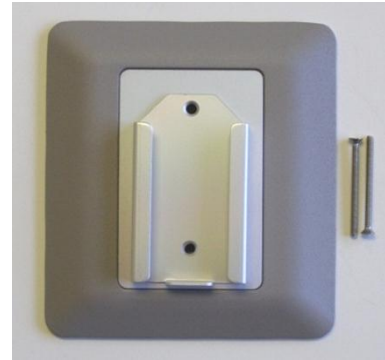


Features

The Tri-Tech Medical slide brackets are designed to be used with the Tri-Tech Medical XF series medical gas outlets.

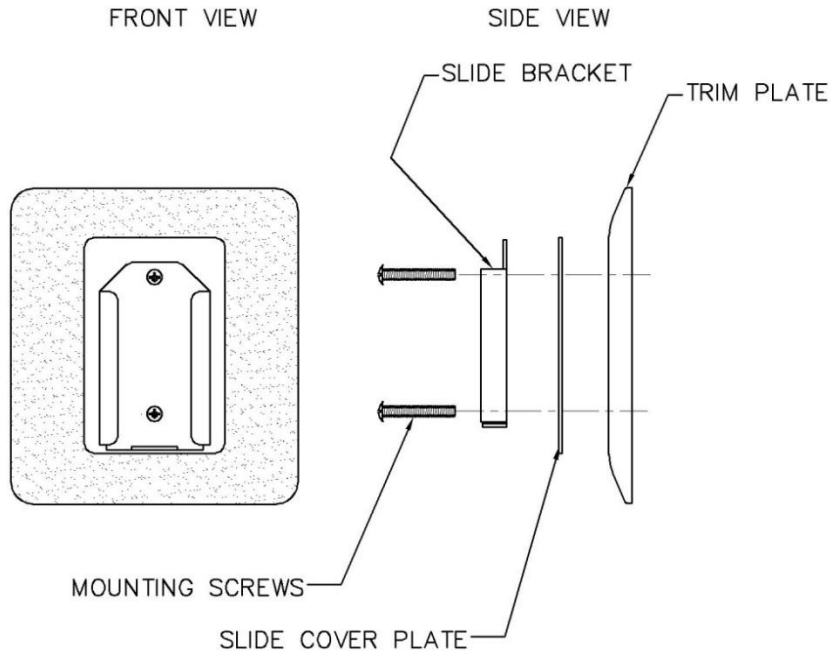
- Anodized aluminum brushed finish
- Optional trim plates are available in; off-white plastic, off-white aluminum die cast and pewter aluminum die cast.
- Two sizes of off-white plastic trim plates available



Slide bracket with cover plate, mounting screws and XC1000-9DCP trim plate shown above.

Specification

The slide brackets shall be Tri-Tech Medical XF series slide brackets. The slide bracket shall be anodized aluminum with a brushed finish.



Ordering Information

Description	Part Number	
Slide Bracket	F1144-6	
Slide Cover Plate	AQ1144-1	
Mounting Screws	30-0003	
Optional		Trim Plate Size
Trim Plate	XC1000-9 Plastic White	4.984" W x 5.484" L x .400" H
	XC1000-9DC Die Cast White	
	XC1000-9DCP Die Cast Pewter	
	XC1000-10 Plastic White	2.735" W x 4.500" L x .190" H

To place an order or request additional information call, fax or e-mail us.