

Submittal Data Sheet

**Project
Information**

Project Number _____	Approval _____
----------------------	----------------

Features

- Standard 19 mm and 30 mm connections
- Wall, console, ceiling & surface mount designs available
- Compensates for variation in wall thicknesses up to 7/8"
- Modular gangable design
- All outlets are 100% tested for flow and leaks
- Full faceplate color coding

Specification

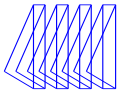
The medical gas wall outlets shall be Tri-Tech Medical AGSS (evacuation) outlets for low pressure gas scavenging with 19 mm and 30 mm taper fitting for easy connection to standard anesthesia gas disposal tubing. The outlets shall be modular singles, and shall incorporate full faceplate color-coding. The single modular outlets shall be of a design that provides for ganging of rough-in plates in the field to form multiples. The gas services shall be sequentially arranged and located as shown on the plans with a minimum centerline spacing of 5 inches (12.7cm) between outlets.



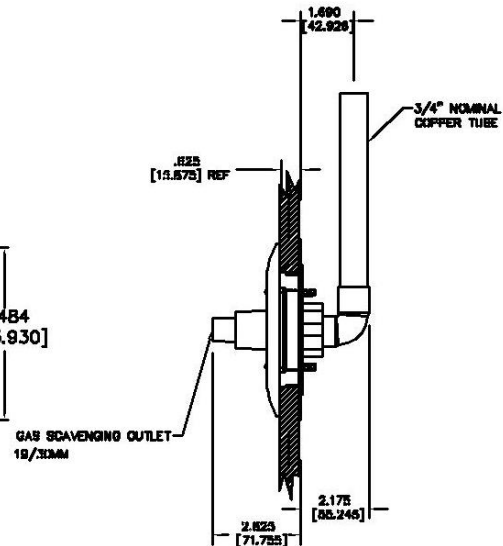
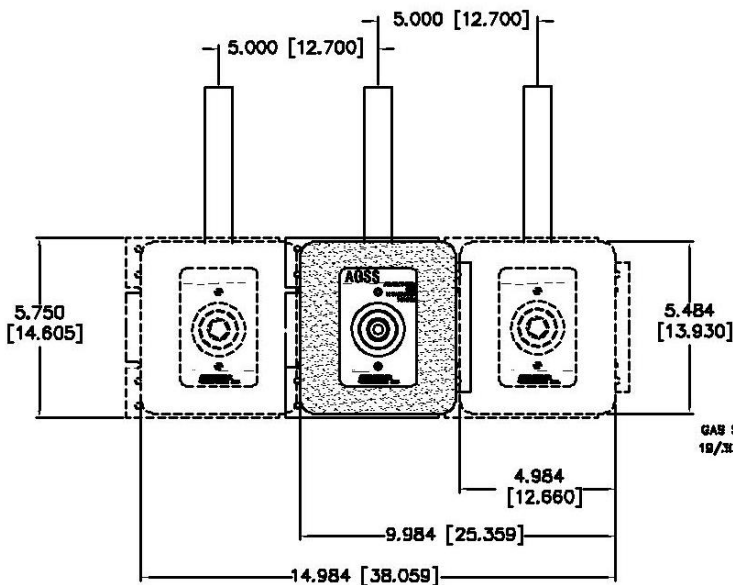
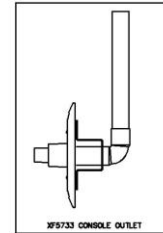
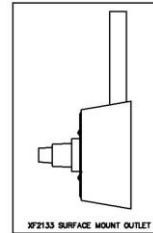
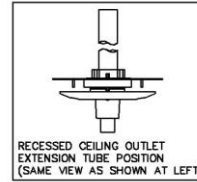
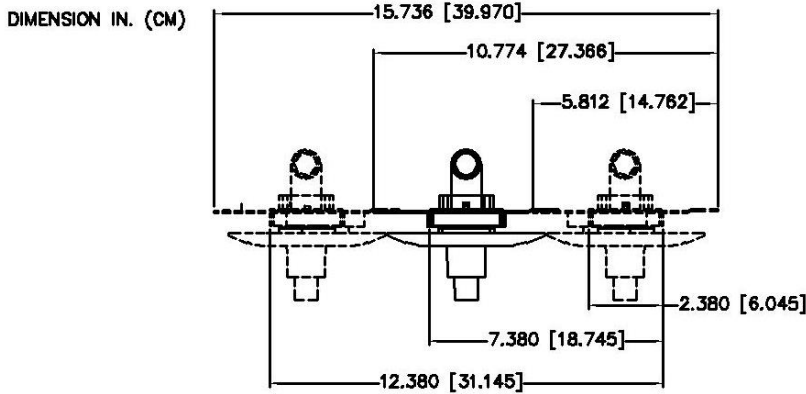
XF1133 Recessed Wall Outlet Shown Above

The outlet nameplate shall be permanently color-coded. The outlet faceplate shall be chrome plated zinc, attached with the nameplate to the rough-in assembly, and provide automatic plaster adjustment from 1/2 to 7/8 of an inch (13 to 22 mm). The name of the gas service shall be permanently embossed on the outlet bracket. The outlet's rough-in supply tube shall be a 7 inch (18 cm) length of 3/4 OD copper Type K, and labeled with the name of the gas service.

Medical gas outlets shall be cleaned for oxygen service in accordance with the current Compressed Gas Association (CGA) Pamphlet G-4.1, capped and placed in a protective container for shipment. The outlets shall be installed in strict accordance with manufacturer's instructions, and tested before use in conformance with local and federal codes.



Layout



Ordering Information

Standard Recessed Outlets Complete - with the Trim Plate

**Indicates that these are NOT UL Listed Outlets, Slides are also not subject to UL Listing*

Gas Service	Recessed Wall	Recessed Ceiling	Surface Mount	Console
AGSS	*XF1133	*XF1233	*XF2133	*XF5733

To place an order or request additional information call toll-free 1-800-253-8692 or fax us at 1-440-937-5060 or email us at sales@tri-techmedical.com. Please visit our web-site at www.tri-techmedical.com.