

Submittal Data Sheet

**Project
Information**

Project Number _____ Approval _____

Features

The Frontall™ DISS medical gas console/headwall outlets represent the most technically advanced means of providing medical gas connections to the central piping system. The outlets incorporate a unique **front-loaded valve cartridge** feature which makes the Tri-Tech Medical outlets **easy to repair**, saving valuable time and money for the health care facility.

- ETL Listed to UL 1331 and CSA Z9170-1.
- Conforms to NFPA 99 and CGA standards
- Accepts DISS gas specific nut & nipple sets
- Ease of maintenance without removing the faceplate using a cartridge insertion tool.
- Pin indexed faceplate and back
- Removable front assembly
- All outlets are 100% tested for flow and leaks
- 360° swivel inlet tube
- Metal back and nameplate
- Provides support for dispensing equipment without the use of additional brackets
- Made in the U.S.A.

Specification

The medical gas console and headwall outlets shall be Tri-Tech Medical Frontall™ DISS medical gas outlets. The outlets shall be modular singles, and shall incorporate nameplate color-coding in accordance with NFPA 99. The outlets shall be capable of supporting dispensing equipment without the use of slide brackets.

The medical gas outlets shall be designed so that, once installed, routine service of both the primary and secondary check valves can be accomplished **without** removing the nameplate or gas specific portions. The primary check valve shall be unitized and of the cartridge type. So that the primary check valve can be removed for service without shutting off the gas supply to the outlet, the secondary check valve shall operate automatically to stop the free flow of the pressure gas. There shall be no secondary check for vacuum or WAGD services. Medical gas outlets that require the removal of the nameplate or gas specific components for routine service shall not be acceptable. The seal between the nameplate and the rough-in shall be a double O-ring



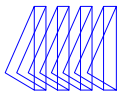
which is serviceable without shutting off the gas service and is capable of supporting 10 pounds @ 2” from the nameplate without leaking.

The outlet nameplate shall be permanently color coded with a durable, scratch resistant and protective label. The outlet trim plate part # XC1000-10 (optional – shown below) shall be durable plastic, scratch resistant, attached with the nameplate to the rough-in assembly. The name of the gas service shall be permanently marked on the outlet bracket and the outlet. The outlet’s rough-in supply tube shall be a 7 inch (18 cm) length of 1/2 O.D.copper Type K for all gas services and labeled with the name of the gas service.

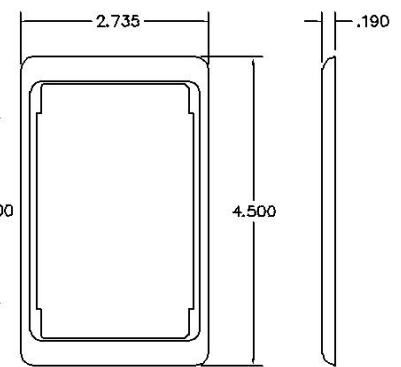
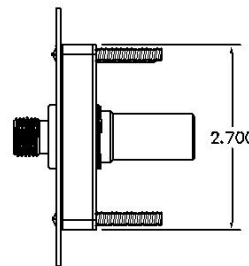
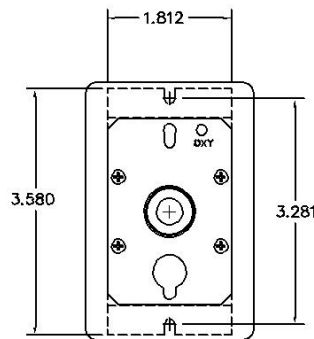
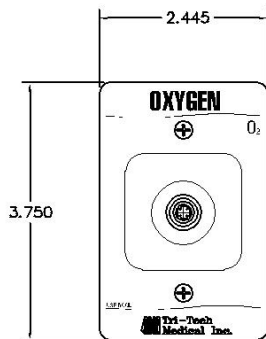
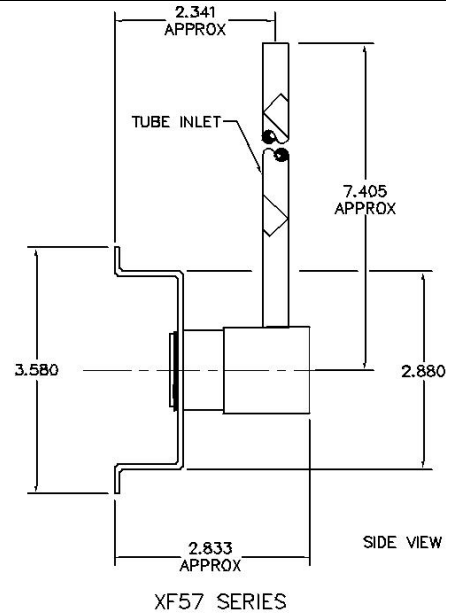
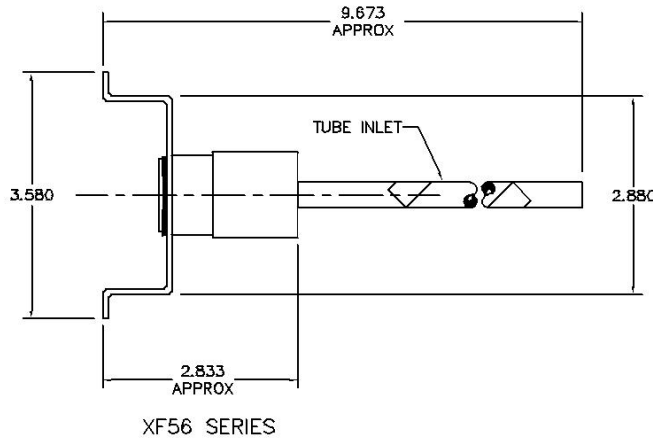
Medical gas outlets shall be cleaned for oxygen service in accordance with the current Compressed Gas Association (CGA) Pamphlet G-4.1, capped and placed in a protective container for shipment. The outlets shall be installed in strict accordance with manufacturer’s instructions, and tested before use in conformance with NFPA 99, local and state codes.



XF5724A with XC1000-10 trim plate



Layout



Ordering Information

Gas Service	Nitrous Oxide	Carbon Dioxide	Nitrogen	Medical Air	Medical Vacuum	Oxygen	WAGD	Instrument Air
Part Number	XF5604	XF5608	XF5612	XF5616	XF5622	XF5624A	XF5632	XF562080
Tube Size	1/2 OD							

Gas Service	Nitrous Oxide	Carbon Dioxide	Nitrogen	Medical Air	Medical Vacuum	Oxygen	WAGD	Instrument Air
Part Number	XF5704	XF5708	XF5712	XF5716	XF5722	XF5724A	XF5732	XF572080
Tube Size	1/2 OD							